




3D Industrial Camera PM805/PM806

Optimized for Industry Robot



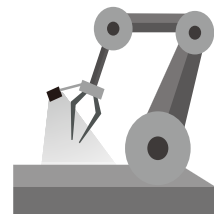
Highlights

-  Patented active stereo technology
-  Millimeter accuracy at distance of up to 4 m
-  Work with industry robot for factory automation

Application



Pick&Place

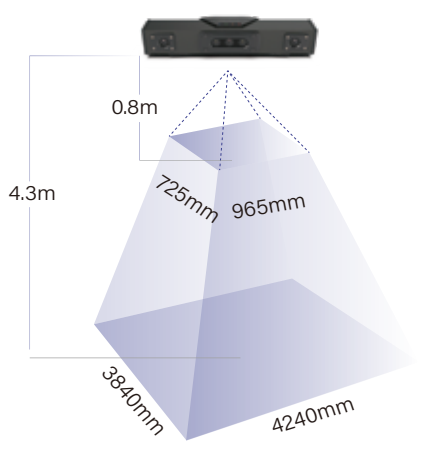


Robot Guidance

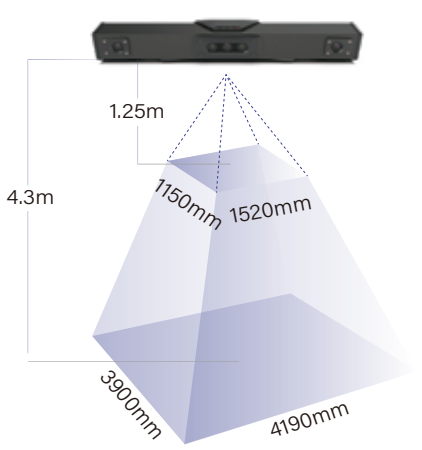
Specification

| | | |
|---------------------------|-------------------------------------|------------------------------|
| Model | PM805-E1 | PM806-E1 |
| Working Distance | 0.8m-4.3m | 1.25m-4.3m |
| FOV (H/V) | 62°/ 49° | |
| Capture Time | 845ms ~1762ms | 820ms ~1672ms |
| Accuracy(Z) | 1.69mm@1500mm; 3.14mm@2000mm | 2.48mm@2000mm; 4.25mm@3000mm |
| Accuracy(XY) | 1.88mm@1500mm; 2.94mm@2000mm | 4.57mm@2000mm; 6.86mm@3000mm |
| Depth Resolution | 1280 * 960 | |
| RGB Resolution | 2560 * 1920 | |
| IP Rating | IP54 | |
| Power Consumption | ≤16W | |
| Size | 388.4mm*85.5mm*89.6mm | 538.4mm*85.5mm*89.6mm |
| Weight | 1930g | 2200g |
| Data Connector | M12 X-Code, 8-pin, female connector | |
| Power Supply | DC 24V ; PoE(IEEE802.3at) | |
| Power & Trigger Connector | M12 A-Code, 8-pin, male connector | |

Size



PM805-E1



PM806-E1



Leading Provider of 3D Machine Vision

www.pcp3d.com

info@pcp3d.com



PERCIPIO.XYZ
@Youtube